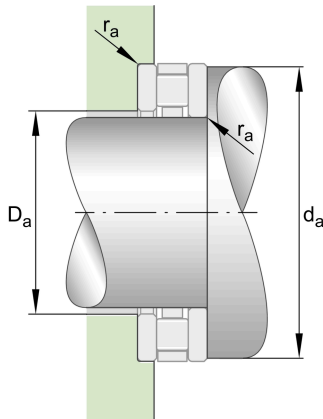
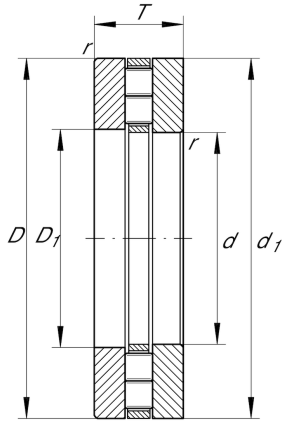
**89310-TV**

Axial cylindrical roller bearing

Schaeffler ID:
0015410210000Axial cylindrical roller bearings 893, single
direction, comprising K893, GS, WS

Technical information

**Main Dimensions & Performance Data**

d	50 mm	Bore diameter
D	95 mm	Outside diameter
T	27 mm	Height
C_a	168,000 N	Basic dynamic load rating, axial
C_{0a}	560,000 N	Basic static load rating, axial
C_{ua}	59,000 N	Fatigue load limit, axial
n_G	3,950 1/min	Limiting speed
n_{gr}	1,460 1/min	Reference speed
	0.875 kg	Weight

Dimensions

	K89310-TV	Axial roller and cage assembly
D_1	52 mm	Bore diameter housing washer
	GS89310	Housing Washer
d_1	95 mm	Rip diameter shaft washer
	WS89310	Shaft washer
B	27 mm	Width
r_{min}	1.1 mm	Minimum chamfer dimension
D_{c1}	50 mm	Cage bore diameter

Mounting dimensions

d_a	92 mm	Minimum diameter shaft shoulder
D_a	56 mm	Maximum diameter of housing shoulder
r_a	1.1 mm	Recess radius